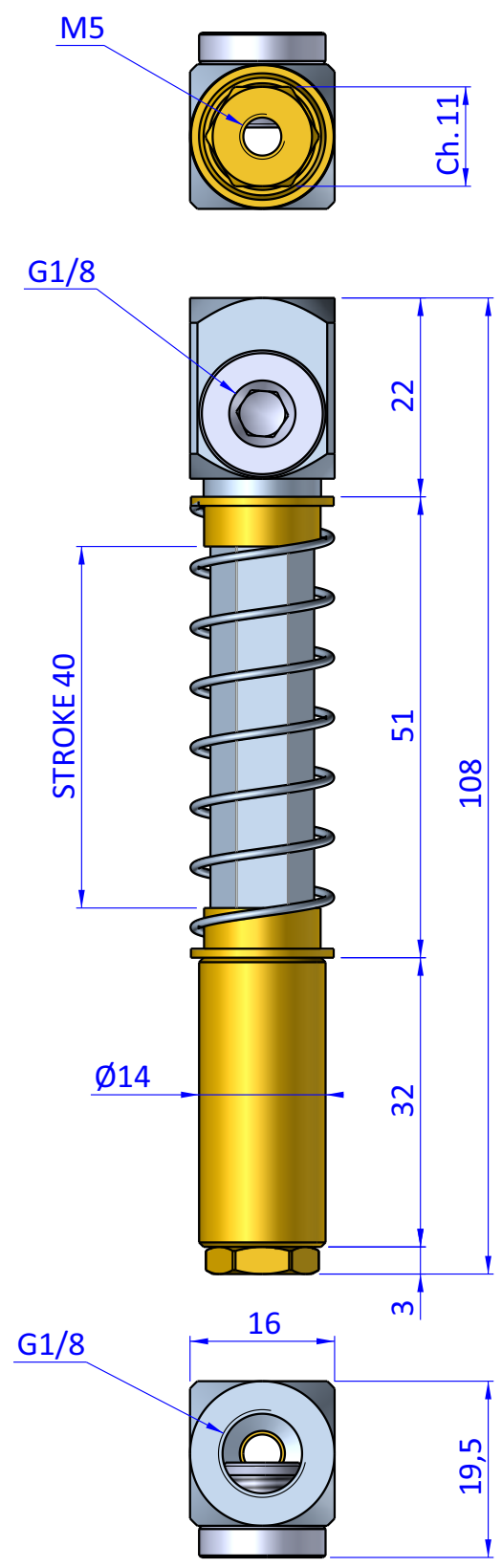
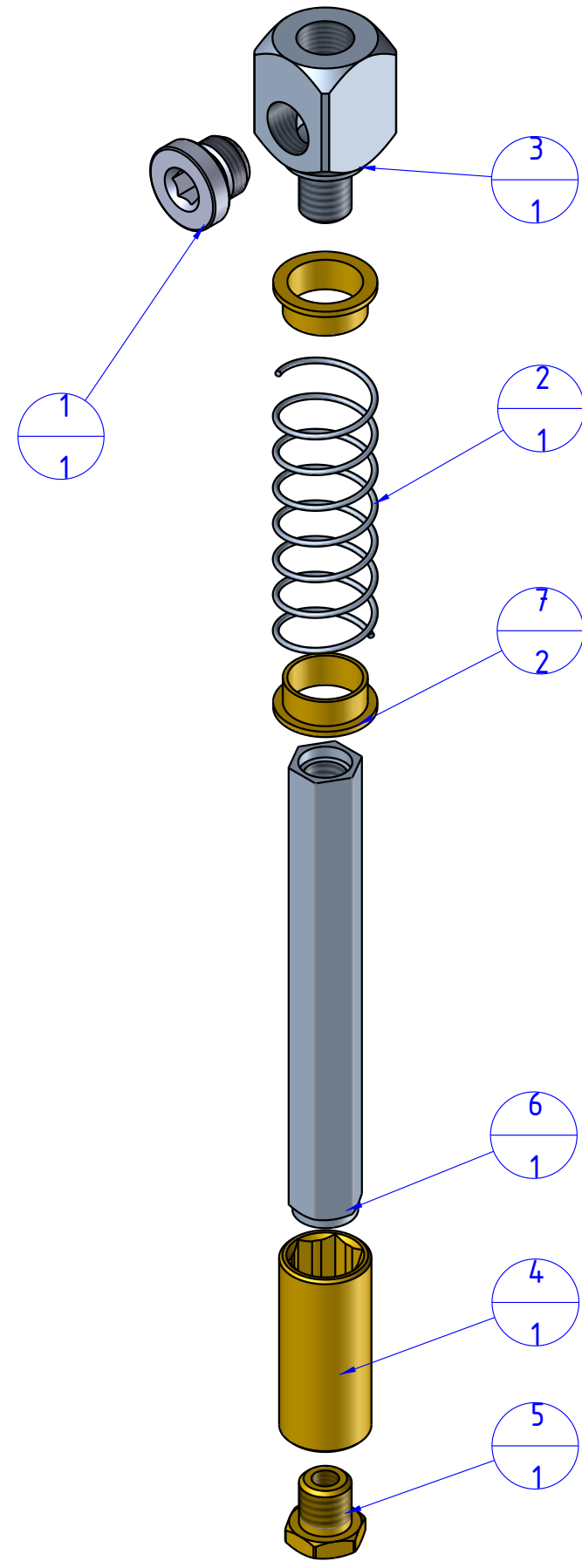

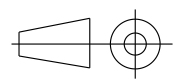


THE PROPERTY OF THE DRAWING IS ESTABLISHED BY LAW. IT IS FORBIDDEN TO PRODUCE OR SHOW IT TO THIRD PART. WITHOUT A WRITTEN AGREEMENT.

Item	Name	Q.ty
1	CA.08.14.014	1
2	M.15X55	1
3	SAE.14181815.1	1
4	SAE.14181815.3	1
7	SAE.14181815.4	2
5	SAE.14181815.5	1
6	SAE.14181840.1	1



Format A3
UNI 936-76

 FPS FPSERVICES AUTOMATION			DESIGNED FROM FPS Automation	REVIEW A
GENERAL TOLERANCE UNI - ISO 2768 CLASSE f	DESCRIPTION CA.SAE.14181815	DATE 20/09/2021	WEIGHT 0,057kg	CODE CA.SAE.14181840